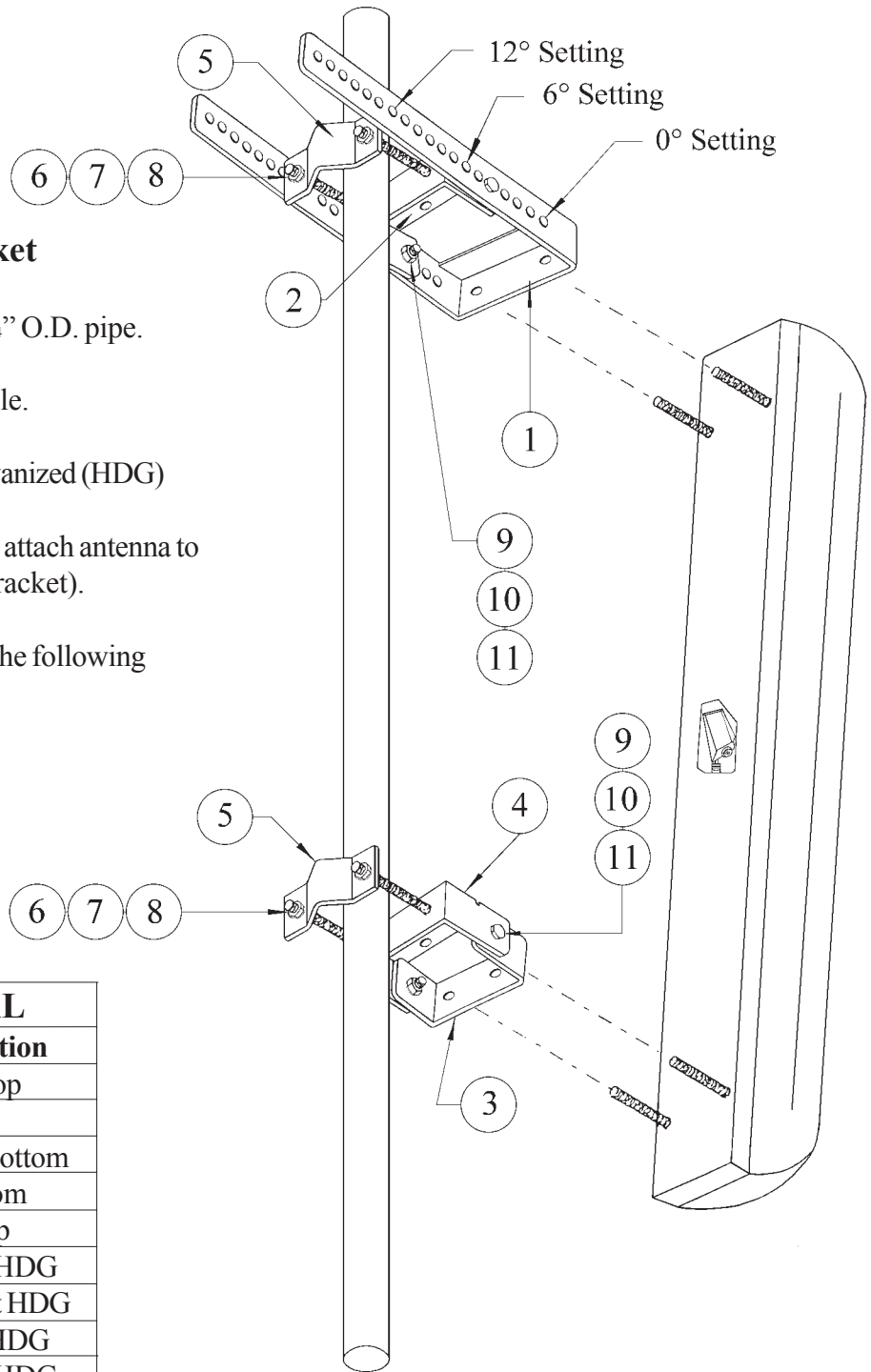


SB 04-18 Bracket

- 1) Clamp will adjust for 2" to 3 1/4" O.D. pipe.
- 2) Adjusts One [1°] degree per hole.
- 3) All material is Hot Dipped Galvanized (HDG)
- 4) Please use nuts from antenna to attach antenna to down-tilt bracket (SB 04-18 Bracket).
- 5) The SB 04 - 18 Bracket will fit the following Swedcom antennas:

- SC 4015**
- SC-6014 / SC-E 6014**
- SC 9012**
- SC 100 11**



BILL OF MATERIAL		
Item	Qty.	Part no. / Description
1	1	04 18-1 Antenna top
2	1	04 18-3 Pole top
3	1	04 18-2 Antenna Bottom
4	1	04 18-1 Pole Bottom
5	2	04 18-5 Pipe clamp
6	4	1/2" x 4" Tap bolt HDG
7	4	1/2" Heavy hex nut HDG
8	4	1/2" Lockwasher HDG
9	4	3/8" x 1" Tap bolt HDG
10	4	3/8" Heavy hex nut HDG
11	4	3/8" Lockwasher