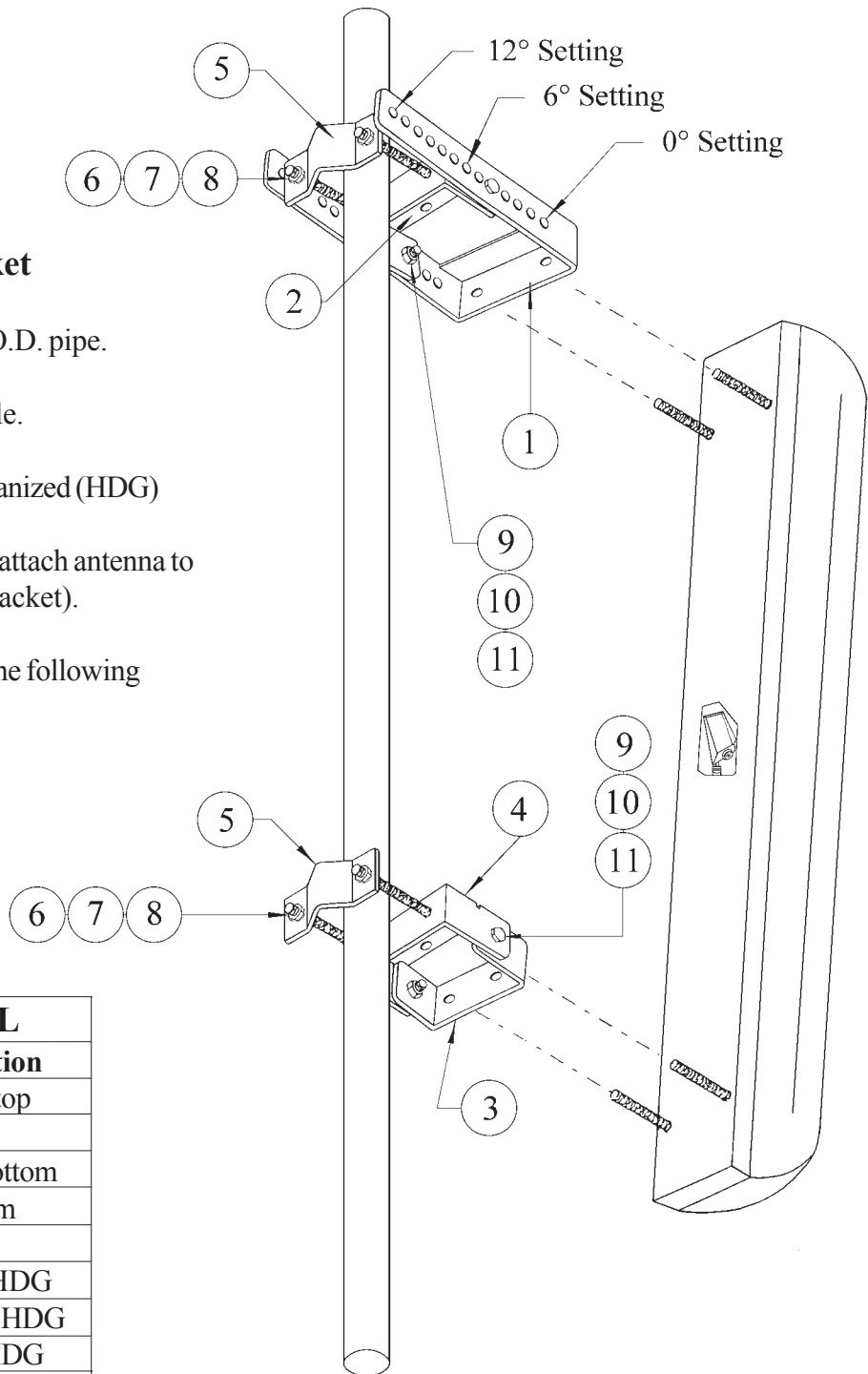


## SB 04-12 Bracket

- 1) Clamp will adjust for 2" to 3" O.D. pipe.
- 2) Adjusts One [1°] degree per hole.
- 3) All material is Hot Dipped Galvanized (HDG)
- 4) Please use nuts from antenna to attach antenna to down-tilt bracket (SB 04-12 Bracket).
- 5) The SB 04 - 12 Bracket will fit the following Swedcom antennas:

**SPX 5014**  
**SPX 8515**  
**SP-E 5017**



BILL OF MATERIAL		
Item	Qty.	Part no. / Description
1	1	04 12-01 Antenna top
2	1	04L-03 Pole top
3	1	04L-02 Antenna Bottom
4	1	04L-01 Pole Bottom
5	2	04L-05 Pipe clamp
6	4	3/8" x 4" Tap bolt HDG
7	4	3/8" Heavy hex nut HDG
8	4	3/8" Lockwasher HDG
9	4	3/8" x 1" Tap bolt HDG
10	4	3/8" Heavy hex nut HDG
11	4	3/8" Lockwasher